



Energy-Efficient Automatic Slide Gates

General

The **LaserLock Style 174** is a circular compressed air powered (all electric optional) **Self-Cleaning Automatic Slide Gate** for rapid and tight closure. Since the slide gate is opened and closed automatically, extraction is always focused on the connections, extraction points or machines currently in operation. This maximizes extraction power, with lower energy consumption as a bonus. You will have cleaner end products and machinery, cleaner floors plus improved health and a better working environment.



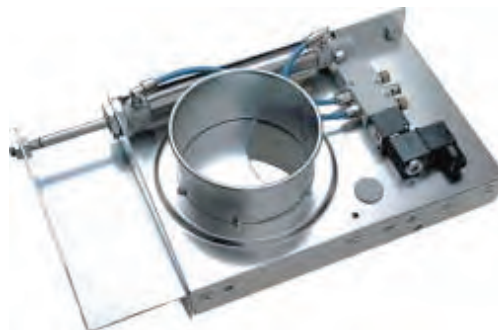
LaserLock Ends



Design

In its standard form, the slide gate is made of zinc-plated steel plate but it can also be ordered in stainless steel.

As standard, the pipe connections on the **LaserLock** slide gate are equipped with a rolled edge for clamping. The slide gate can also be ordered with a flanged edge or raw edge.



Flanged Ends

Airtightness is achieved using flexible rubber gaskets and sealing rings. In its standard form, the slide gate can be used to a maximum of 190°F. The automatic slide gate is opened and closed using one or two compressed air cylinders or all electric as an option. The air cylinder is operated with a solenoid valve connected to the work process or from an operating switch. Using a proximity switch (optional) fitted to the slide gate, the fan, for example, can be started when the slide gate opens.



Duct Incorporated

9467 North NC Highway 150 • P.O. Box 889 • Clemmons, NC 27012-0889

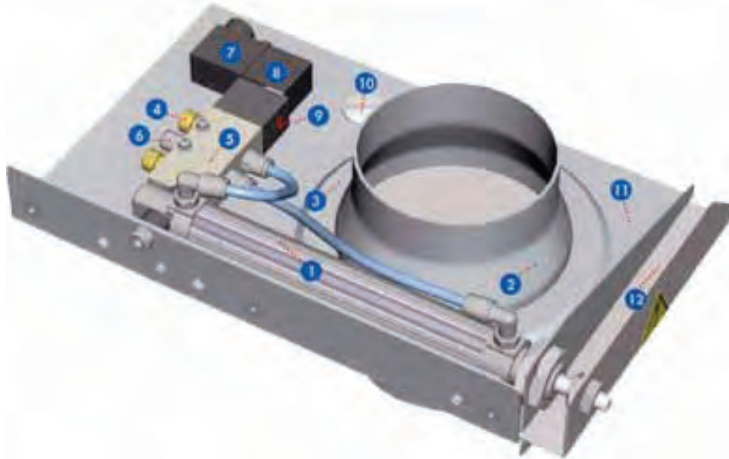
Toll-Free 1-877-BUY-DUCT (1-877-289-3828) • Phone: 336-768-0700 • Fax: 336-768-0701

E-mail: sales@ductincorporated.com

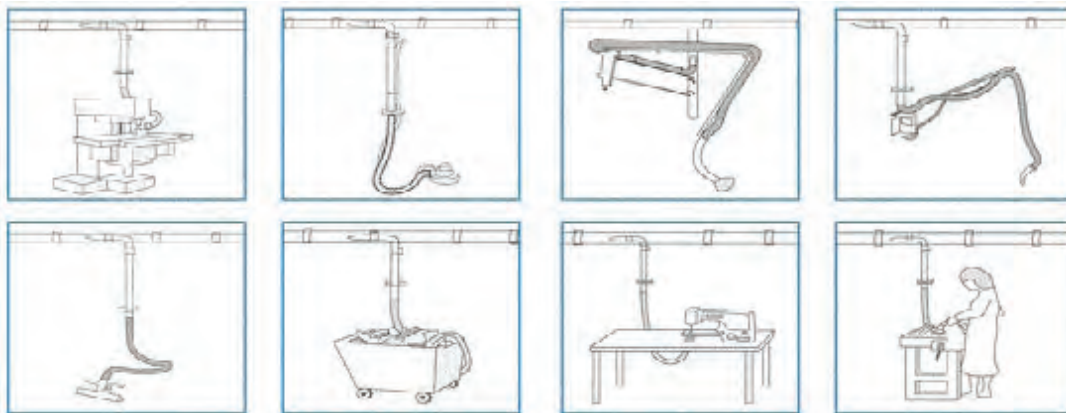
www.ductincorporated.com



Components of the Automatic Slide Gates



1. Cylinder
2. Connection sleeve
3. Gasket housing
4. Throttle muffler
5. Solenoid valve
6. Compressed air supply (1/4" NPT)
7. Cable terminal
8. Magnet coil
9. Manual override
10. Socket for proximity switch
11. Slide Gate housing
12. Slide Gate blade



The LaserLock Automatic Slide Gates offer you many advantages:

- Value for Dollar Spent - Short Repayment Cycle.
- Increased Degree of Utilization in Process Ventilation
- Energy Savings
- Cleaner End Products
- Better Working Environment
- High Level of Operational Reliability
- Long Service Life
- Easy to Fit / Install
- Can be Equipped with a Proximity switch or other Control Technology
- Low Noise Level – No Leakage of Air

Duct Incorporated
9467 North NC Highway 150 • P.O. Box 889 • Clemmons, NC 27012-0889
Toll-Free 1-877-BUY-DUCT (1-877-289-3828) • Phone: 336-768-0700 • Fax: 336-768-0701
E-mail: sales@ductincorporated.com
www.ductincorporated.com